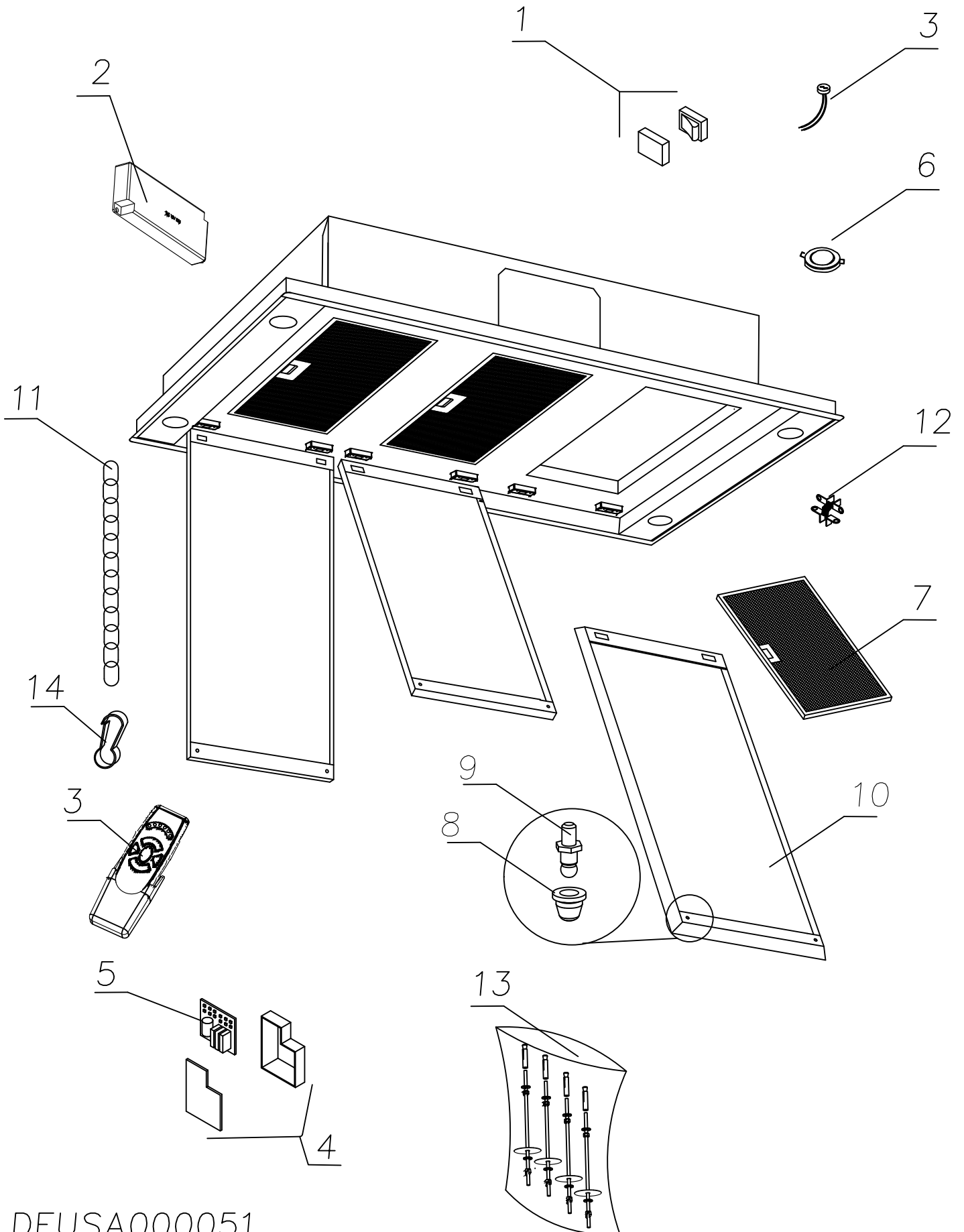


# SUT950 SEQ

16/04/2019



DEUSA000051